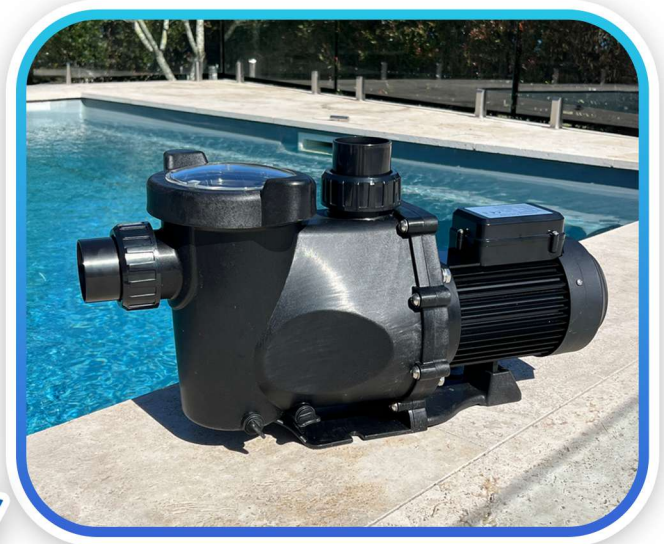




Water TechniX ApeX Pump

The Water TechniX ApeX Single Speed Pool Pump, developed by Mr Pool Man with over 25 years of industry experience, is a durable, high-performance solution for both residential and commercial pools. Built for simplicity and reliability, the ApeX delivers consistent water flow at a single powerful speed, ensuring efficient pool circulation and long-lasting performance.



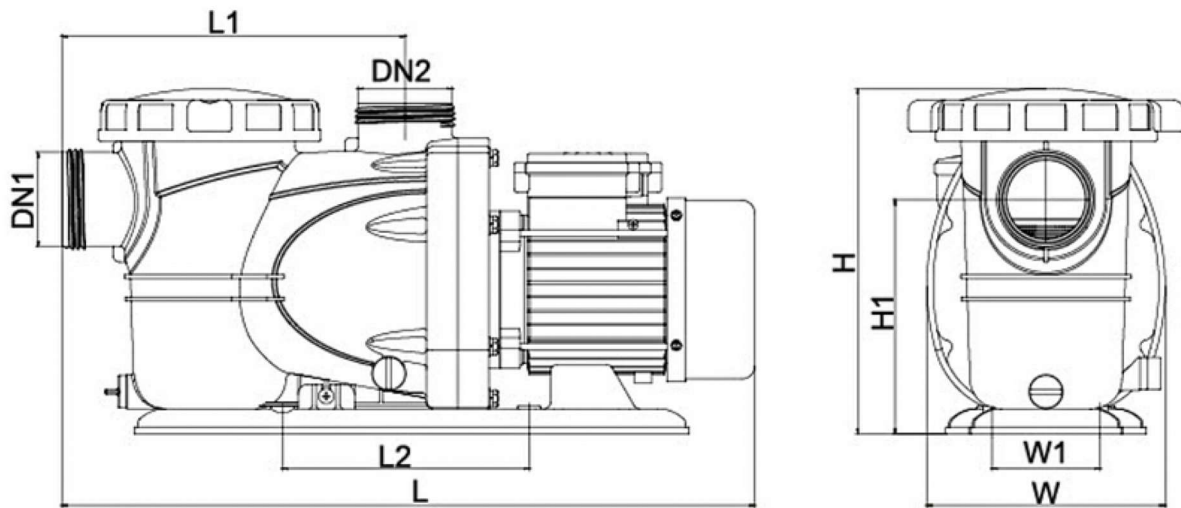
Features:

- Marine-grade stainless steel.
- bearings and mechanical seal.
- 100% copper wound, singlespeed fan-cooled motor for consistent performance.
- Ergonomic cam-lock clear lid with easy-to-open handles.
- 240 Volts, 50Hz single-phase 10amp AU cable.
- IPX4 Water and weather rated for year-round use.
- 1.0HP Reliable max flow rate of 295 L/min @ 8m head.
- A low maintenance, large lint basket for all debris.
- Drain plugs to remove all water from the pump.
- Compatible with salt, chlorine and magnesium pools.
- Sleek elevated design to avoid moisture ingress.
- Can be used for in-ground, above ground pools and spas.
- Retrofits Astral CTX, VIRON, and Davey DSF StarFlo pumps.
- Available in 2 different sizes, 1.0HP & 1.5HP for most pools.

Engineered with a high quality, corrosion resistant mechanical seal and stainless steel bearings, the Water TechniX LEO meets and exceeds all the demands of the harsh Australian climate.

Maintenance is a breeze with its easy-open lid and large basket capacity. Coupled with an industry leading, 100% copper wound motor to improve the performance and whisper quiet operation at only 60dB, this is equal to a hushed human conversation. Compatible with salt, chlorine and magnesium pools!

With a sleek elevated design and compact footprint, its simple DIY installation will retrofit into existing pipework with minimal plumbing changes using the easy fit 40mm or 50mm unions included. Both the 1.0HP and 1.50HP LEO pumps are suitable for in-ground, above ground and plunge pools between 40,000L - 90,000L.



Model	DN1	DN2	L (mm)	W (mm)	H (mm)	L1 (mm)	W1 (mm)	H1 (mm)
LEO 1.0HP	48.5 or 50	48.5 or 50	554	190	276	274	197	187
LEO 1.5HP			554	190	276	274	197	187

LEO 1.0HP Pump specifics:

- Compact design: 60cm Long x 19cm Wide
- Max flow rate 250 LPM
- Suits pools 40,000L - 60,000L
- 1 Star energy rating

LEO 1.5HP Pump specifics:

- Compact design: 60cm Long x 19cm Wide
- Max flow rate 283 LPM
- Suits pools 60,000L - 80,000L
- 1 Star energy rating



Whats in the box:

- 1 x Water TechniX LEO Pool Pump.
- 2 x Easy to fit Unions.
- 1 x Instructions.



Warranty:

- 2 year warranty on manufacturer faults and defects.
- 12 months on mechanical seal and bearings.