



# Water TechniX LEO Pump

The Water TechniX LEO Pumps have been engineered to give you the maximum performance delivered by single speed pumps but without the noise that comes with it. Utilising best-in-class technology, the Water TechniX LEO pumps provide the best in value and performance without compromising on quality.

## Features:

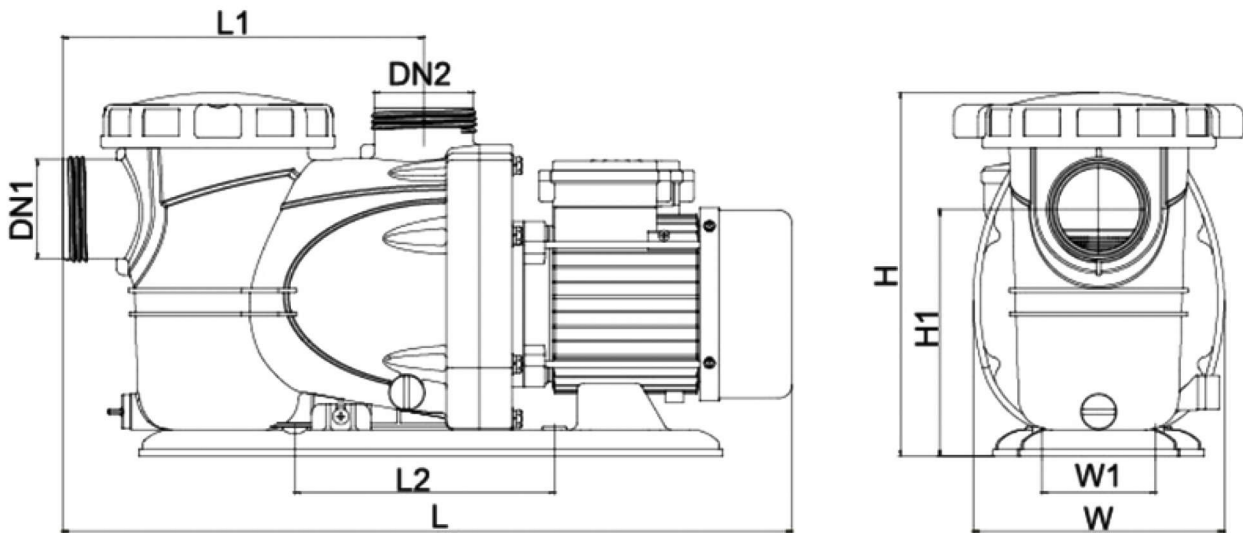
- Engineered with stainless steel bearings & mechanical seal.
- Industry leading 100% copper wound motor.
- High flow ports with unions to suit all pipes- 50mm Inner diameter, 60mm outer diameter.
- Ergonomic cam-lock lid with easy to open handles.
- Oversized capacitor for consistent, reliable performance.
- Hydraulic designed for whisper quiet operation at 60dBa.
- Impact resistant, anti-corrosive, UV resistant ABS housing that is built to last.
- A low maintenance, large lint basket for all debris.
- Drain plugs to remove all water from the pump.
- 240 Volts, 50Hz single phase 10amp Australian lead to connect directly into power.
- Compatible with salt, chlorine and magnesium pools.
- Sleek elevated design to avoid moisture ingress.
- Can be used for in-ground, above ground pools and spas.
- Available in 2 different sizes, 1.0HP & 1.5HP for most pools.



Engineered with a high quality, corrosion resistant mechanical seal and stainless steel bearings, the Water TechniX LEO meets and exceeds all the demands of the harsh Australian climate.

Maintenance is a breeze with its easy-open lid and large basket capacity. Coupled with an industry leading, 100% copper wound motor to improve the performance and whisper quiet operation at only 60dB, this is equal to a hushed human conversation. Compatible with salt, chlorine and magnesium pools!

With a sleek elevated design and compact footprint, its simple DIY installation will retrofit into existing pipework with minimal plumbing changes using the easy fit 40mm or 50mm unions included. Both the 1.0HP and 1.50HP LEO pumps are suitable for in-ground, above ground and plunge pools between 40,000L - 90,000L.



Model	DN1	DN2	L (mm)	W (mm)	H (mm)	L1 (mm)	W1 (mm)	H1 (mm)
<b>LEO 1.0HP</b>	48.5 or 50	48.5 or 50	554	190	276	274	197	187
<b>LEO 1.5HP</b>			554	190	276	274	197	187

### LEO 1.0HP Pump specifics:

- Compact design: 60cm Long x 19cm Wide
- Max flow rate 250 LPM
- Suits pools 40,000L - 60,000L
- 1 Star energy rating

### LEO 1.5HP Pump specifics:

- Compact design: 60cm Long x 19cm Wide
- Max flow rate 283 LPM
- Suits pools 60,000L - 80,000L
- 1 Star energy rating



### Whats in the box:

- 1 x Water TechniX LEO Pool Pump.
- 2 x Easy to fit Unions.
- 1 x Instructions.



### Warranty:

- 2 year warranty on manufacturer faults and defects.
- 12 months on mechanical seal and bearings.

